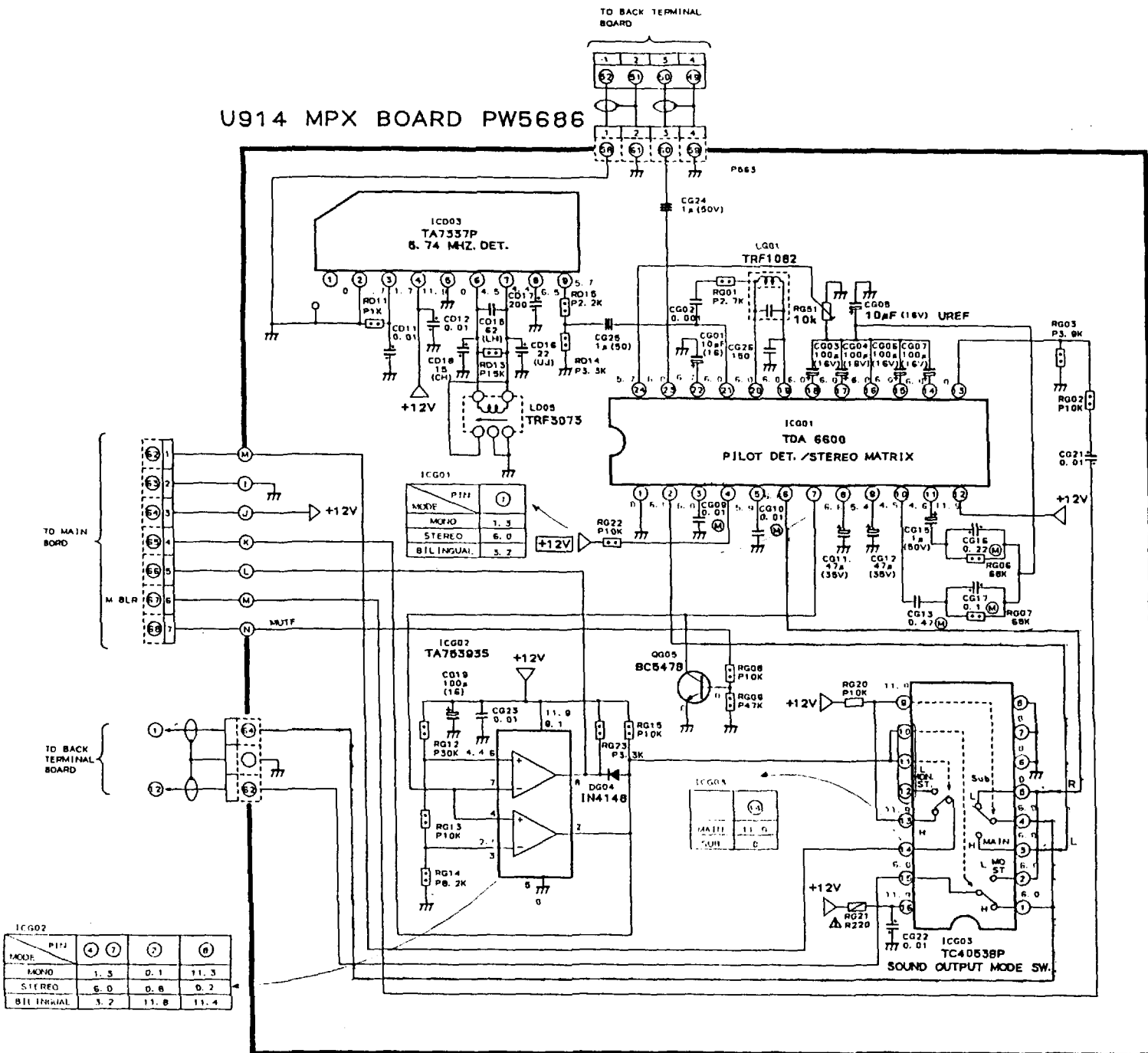


U914 MPX BOARD PW5686



MODE	PI11	PI12
MONO	1. 3	6. 0
STEREO	6. 0	3. 2
BILINGUAL	3. 2	6. 0

MODE	PI11	PI12	PI13	PI14
MONO	1. 3	0. 1	11. 3	0. 2
STEREO	6. 0	0. 6	0. 2	11. 4
BILINGUAL	3. 2	11. 8	11. 4	0. 1

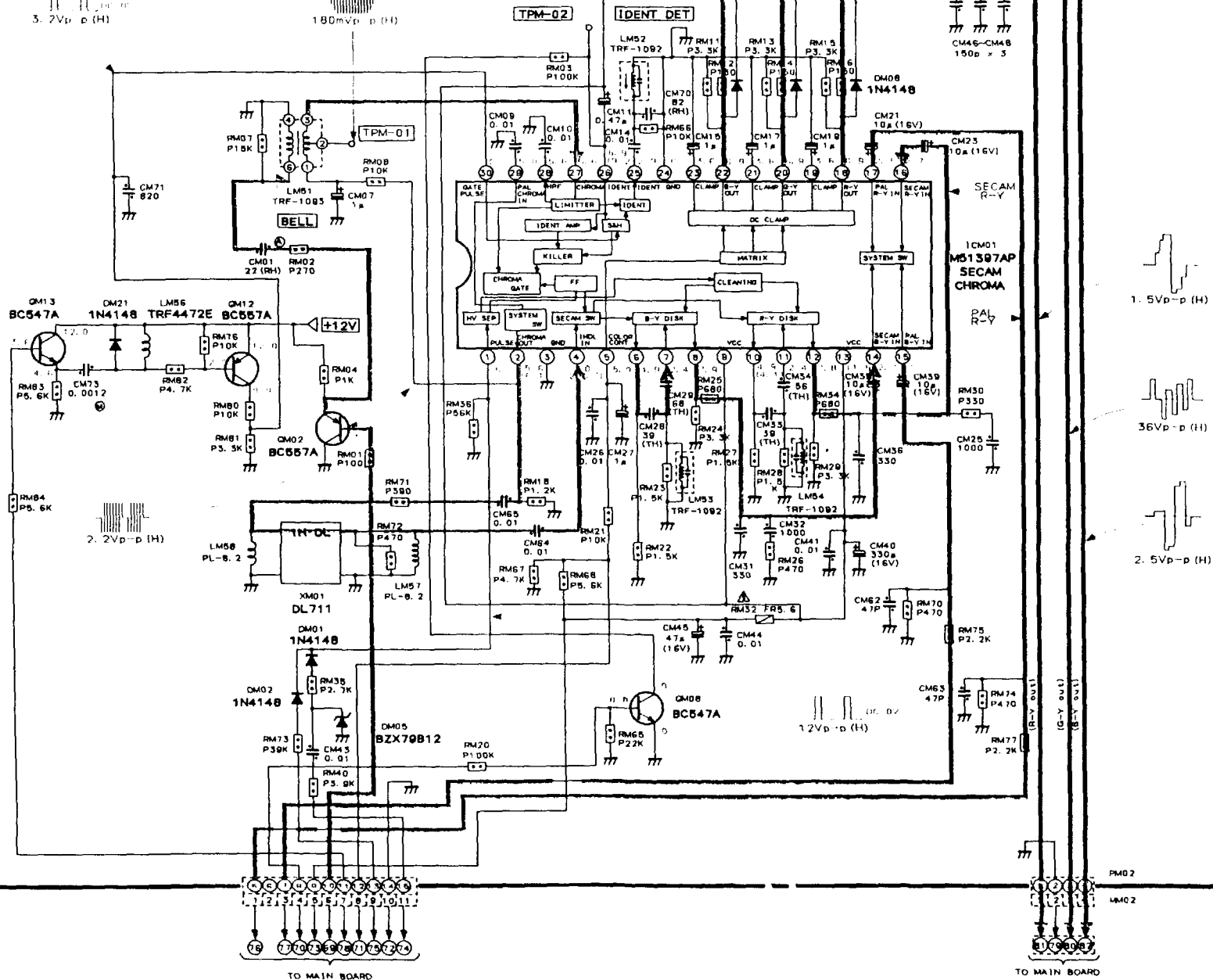
MODE	PI11	PI12
MAIN	11. 0	1. 0
SUB	1. 0	11. 0

ICG03
TC4053BP
SOUND OUTPUT MODE SW.

U501A SECAM CHROMA BOARD PW5631

3.2Vp-p (H)

180mVp-p (H)

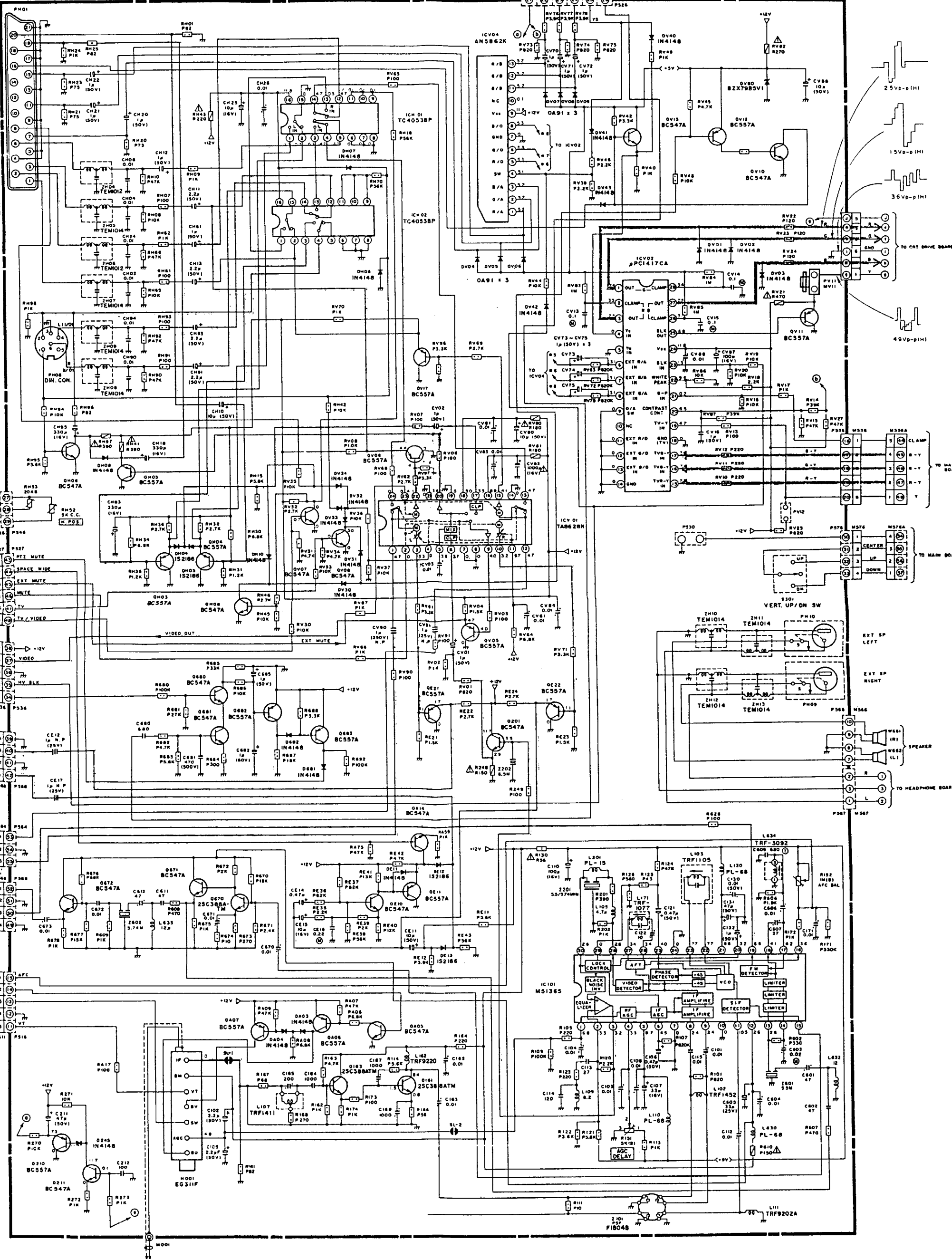


TO MAIN BOARD

TO MAIN BOARD

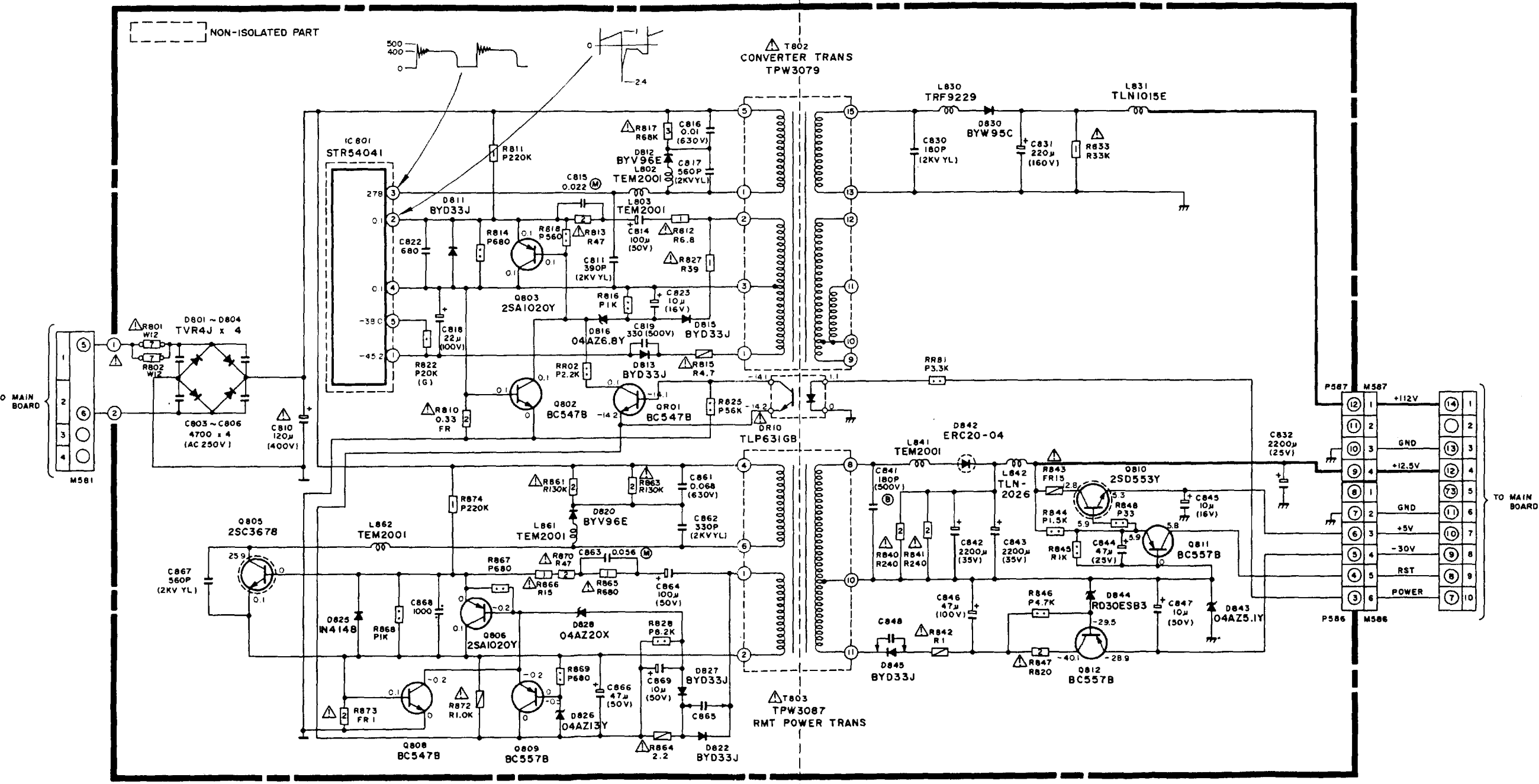
U903A BACK TERMINAL BOARD PW5687-1

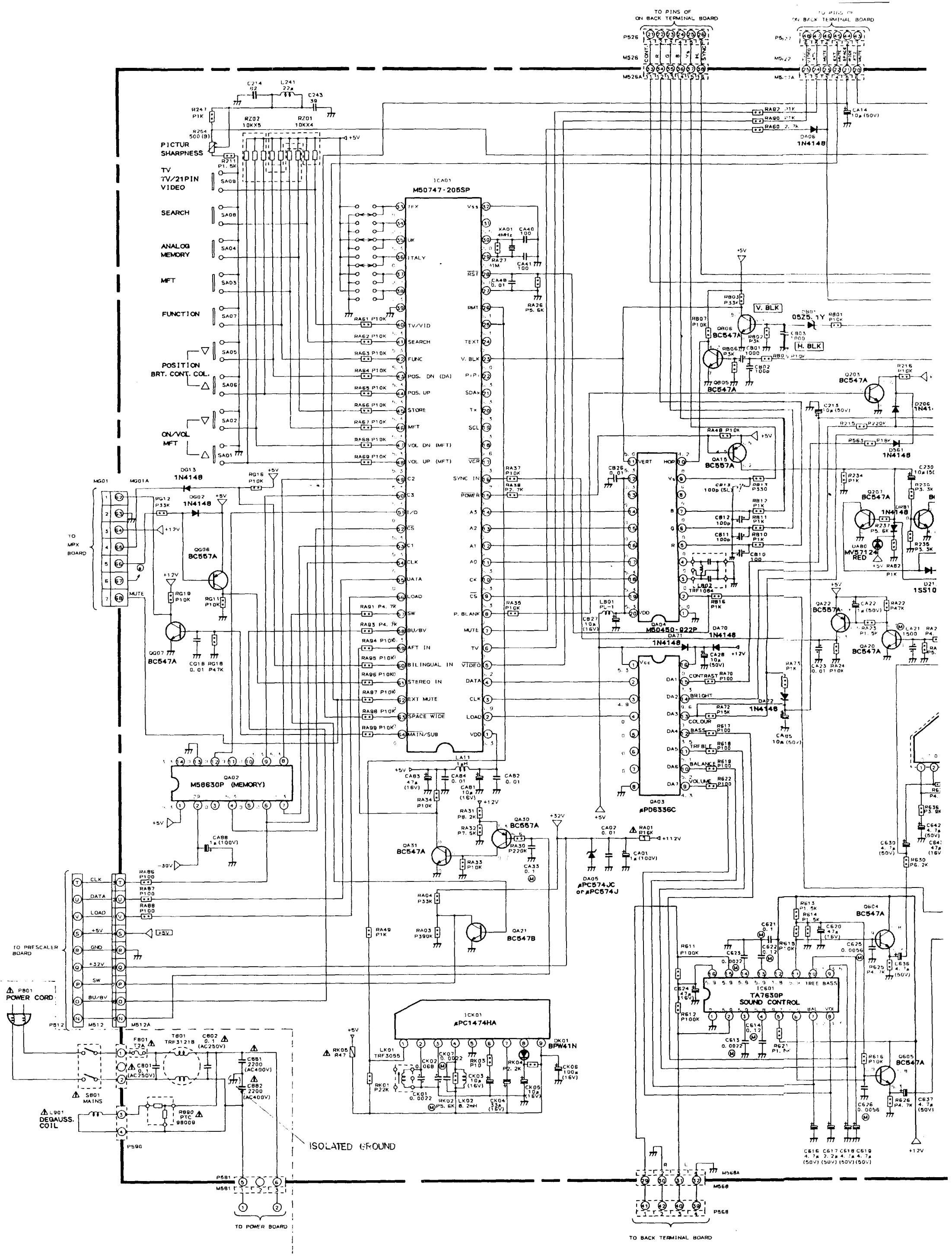
21	SHIELD EARTH	
20	VIDEO IN	1V _{pp} 3348
19	VIDEO OUT	1V _{pp} 3348
18	RAPID BLK NG EARTH	
17	VIDEO EARTH	
16	RAPID BLANKING	0.0-0.4V 1.1-1.3V
15	RED IN	0.7V _{pp} 2348
14	NC	
13	RED EARTH	
12	NC	
11	GREEN IN	0.7V _{pp} 2348
10	NC	
9	GREEN EARTH	
8	EXT TV	TWO-2V EXT. 9.3 12V
7	BLUE IN	0.7V _{pp} 2348
6	AUDIO IN (L)	0.2-2V _{pp}
5	BLUE EARTH	
4	AUDIO IN (R)	0.2-2V _{pp}
3	AUDIO OUT (L)	0.2-2V _{pp}
2	AUDIO OUT (R)	0.2-2V _{pp}



U801 POWER BOARD PW5649

NON-ISOLATED PART





PICTUR SHARPNESS

TV/21PIN VIDEO

SEARCH

ANALOG MEMORY

MFT

FUNCTION

POSITION BRT. CONT. COL.

ON/VOL MFT

1CA01 M50747-2065P

TX

UK

ITALY

TV/VID

SEARCH

FUNC

POS. DN (DA)

POS. UP

STORE

MFT

VOL DN (MFT)

VOL UP (MFT)

C2

C3

V/D

C5

CLK

DATA

LOAD

SW

BU/BV

AFT IN

BILINGUAL IN VIDEO

STEREO IN

EXT MUTE

SPACE WIDE

MATN/SUB

VDD

POWER

A5

A2

A1

CK

CS

P. BLANK

MUTE

TV

DATA

CLK

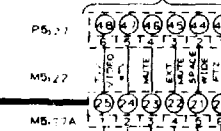
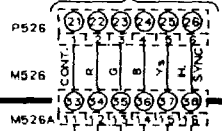
LOAD

VDD

VCC

TO PINS OF ON BACK TERMINAL BOARD

TO PINS OF ON BACK TERMINAL BOARD



TO MPX BOARD

TO PRESALER BOARD

POWER CORD

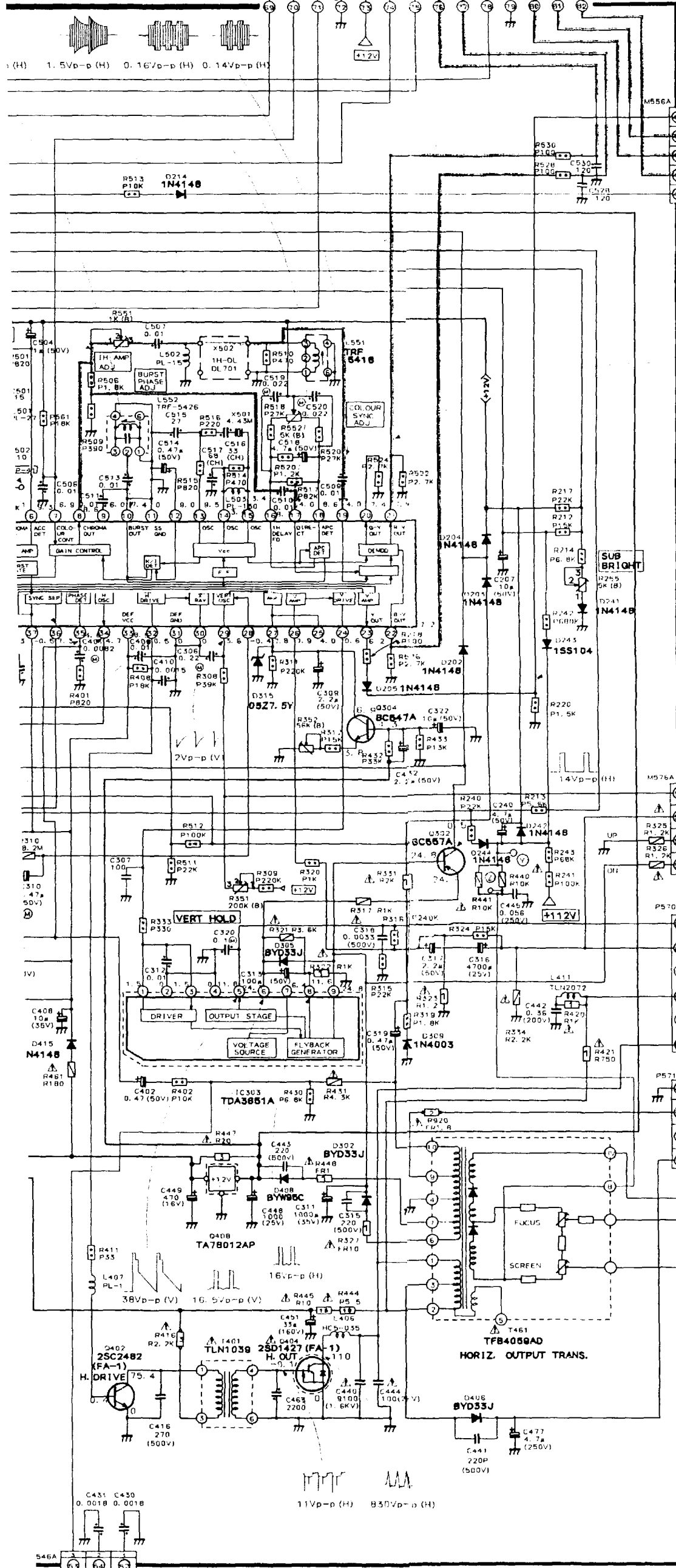
DEGAUSS. COIL

ISOLATED GROUND

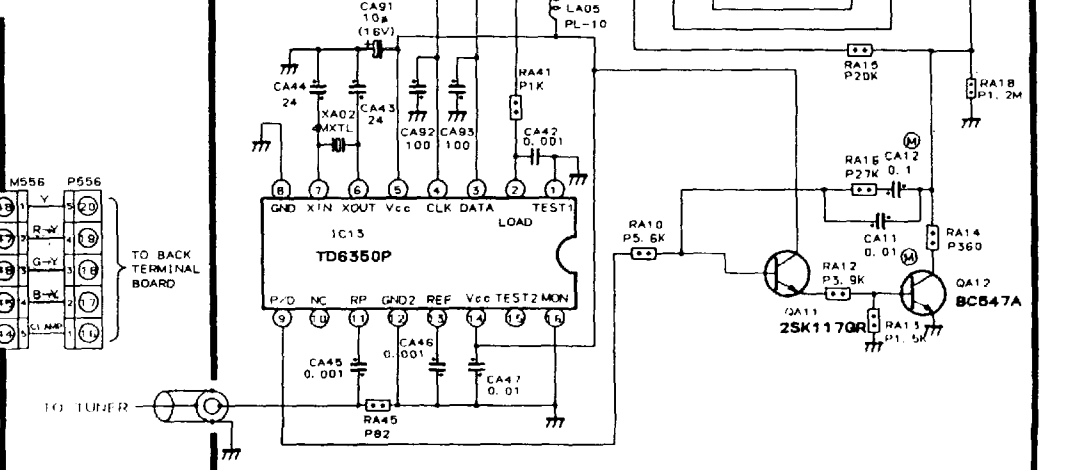
TO BACK TERMINAL BOARD

TO POWER BOARD

PW5685-1



U902B
PRE-SCALER BOARD
PW5685-2



U903B
CRT DRIVE BOARD
PW5687-2

