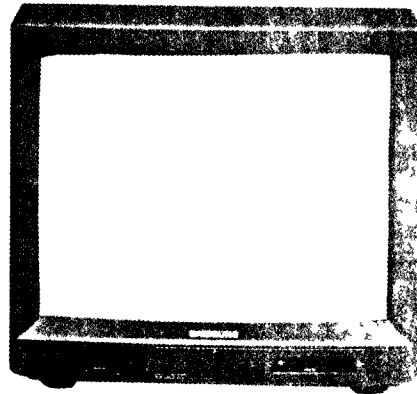


# SERVICE MANUAL

**MODEL : CK5322X/METX**  
**CHASSIS : P68SC & RM109**

## COLOUR TELEVISION RECEIVER



RESISTOR	
Composition	NO. MARK
Carbon	(CR)
Metal Oxide	(CR)
Metal Film	(CR)
Fusible	(CR)
Cement Wire	(CR)
Network	(CR)

CAPACITOR	
Composition	NO. MARK
Ceramic - SL	(CR)
Ceramic - RH	(CR)
Ceramic - CH	(CR)
Polyester (Induct)	(CR)
Polyester (Noninduct)	(CR)
Polypropylene	(CR)
Metal Polyester	(CR)
M.P. Polypropylene	(CR)
Tantalum	(CR)
Non Polar	(CR)

### DIFFERNT PARTS FOR TTX GROUP

LOC NO	3GROUP	4GROUP TTE-EUR	5GROUP TTE-EAS/EUR	6GROUP	REMARK
TIC03	HAB846/P/1115	PCF84C81P/CT1972	PCF84C81P/CT1972	PCF84C81P/CT1972	
TIC02	SA45246PE/12	SA45246PE/12	SA45246P/11	SA45246P/11	
TIC02	CS46 C08GT01	9 8304HZ	9 8304HZ	9 8304HZ	
TR12	1/8T 1H	DELETE	DELETE	DELETE	
TC13	50V 1K 30	DELETE	DELETE	DELETE	
TC14	50V 1K 30	DELETE	DELETE	DELETE	

———— POWER LINE      ———— SIGNAL LINE

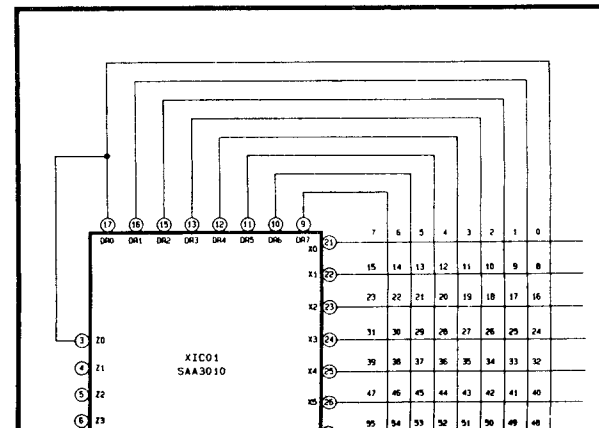
**EXPRESSION**  
 1 Resistance is shown one K=1 000 M=1 000 000  
 2 Unless otherwise noted in schematic all capacitor values less than 1 are expressed in pF the values more than 1 in pF  
 3 Unless otherwise noted in schematic all inductor values are expressed in uH and the values less than 1 in mH.

**NOTE**  
 The circuits are subject to change without notice to improve the picture quality.

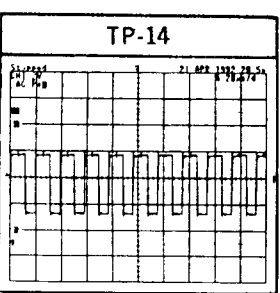
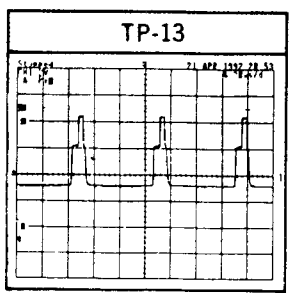
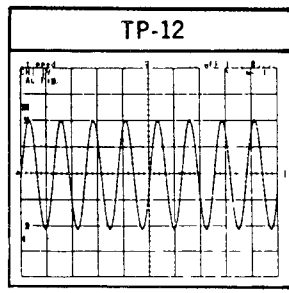
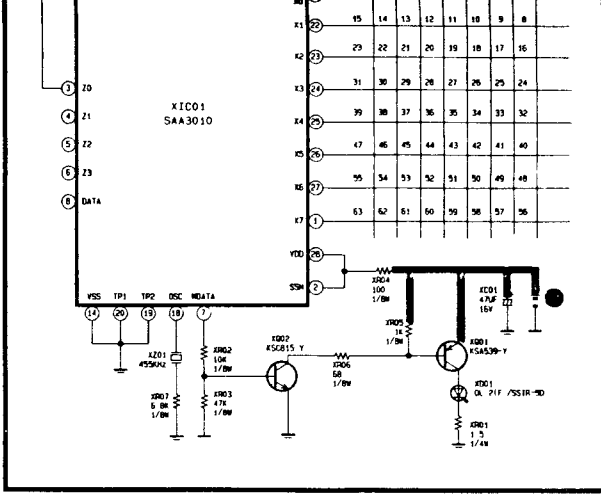
### DIFFERNT PARTS FOR SYSTEM      DIFFERNT PARTS FOR INCH

LOC NO	PAL-B/G	PAL/SECAM -B-G	PAL/SECAM -B-G-B-E	PAL-1	14 INCH				
					NORMAL	HIGH-HECK	20 INCH		
IC502	DELETE	TOA8393	TOA8393	DELETE	RE10	1/2T 133K-F	1/2T 190K-F	1/2T 127K-F	1/2T 150K-F
CS17	DELETE	POLY 223	POLY 223	DELETE	RE25	1W 0 47	DELETE	1W 1	1W 1
CS18	DELETE	10V 47uF	10V 47uF	DELETE	C411	1 6KV 722	1 6KV 722	1 6KV 722	1 6KV 632
CS19	DELETE	POLY 104	POLY 104	DELETE	C417	400V 364	400V 364	200V 434	200V 434
CS20	DELETE	POLY 224	POLY 224	DELETE	L454	0548-157uH	E 20/195uH	0548-157uH	40uH
CS25	C-C OH 47	C-C OH 47	C-C OH 33	C-C OH 47	0402	2501850	2501850	2501851	2501851
LS01	12uH	12uH	8-2uH	12uH	NR001	1W 220	DELETE	1W 220	DELETE
Z101	0F961906	0F961906	TF5321	TF5321	NR002	1/2T 1K	DELETE	1/2T 1K	DELETE
Z201	TP55-5M	TP55-5M	TP55-5M	DELETE	NC001	25V 330uF	DELETE	25V 330uF	DELETE
Z202	DELETE	DELETE	TP58-5M	TP58-5M	NC002	18V 68uF	DELETE	16V 68uF	DELETE
Z301	SF5H5-5M3	SF5H5-5M3	SF5H5-5M3	DELETE	NR003	1/2T 1 2K		1/2T 1 2K	

### PWB-TRANSMITTER



C320	DELETE	POLY 224	POLY 224	DELETE	C417	400Y 364	400Y 364	200Y 434	200Y 434
C325	C-C CH 47	C-C CH 47	C-C CH 33	C-C CH 47	L404	054B-157uH	K 20/195uH	054B-157uH	40uH
L001	12uH	12uH	6.2uH	12uH	D402	2501050	2501050	2501051	2501051
Z101	0P961056	0P961056	TSP3321	TSP3321	NR001	1W 220	DELETE	1W 220	DELETE
Z201	TP95.5uW	TP95.5uW	TP95.5uW	DELETE	NR002	1/2T 1K	DELETE	1/2T 1K	DELETE
Z202	DELETE	DELETE	TP98.5uW	TP98.5uW	NR003	25Y 330uF	DELETE	25Y 330uF	DELETE
Z301	SF5H5.5uW	SF5H5.5uW	SF5H5.5uW	DELETE	NR002	18Y 60uF	DELETE	18Y 60uF	DELETE
Z302	DELETE	DELETE	SF5H5.5uW	SF5H5.5uW	NR001	1/2T 1 2K		1/2T 1 2K	
RP20	1/W 22K	1/W 22K	1/W 22K	DELETE	NR002	1/2T 1 2K		1/2T 1 2K	
RP21	1/W 22K	1/W 22K	1/W 22K	DELETE	T402	K 20-14	DELETE	K 20-14	DELETE
RP22	1/W 10K	1/W 10K	1/W 10K	DELETE	LW01	80uH(412-610)		80uH(412-610)	
RP23	1/W 10K	1/W 10K	1/W 10K	DELETE	T444	FCR1415AL	FCR0914FL	FCR0915AL	FCR-204B15
RP02	CB15-Y	CB15 Y	CB15 Y	DELETE	Y999	31CG0911	A3AK0942X	3702092	3AK09071
RP03	CB15 Y	CB15-Y	CB15-Y	DELETE	Y999A	A4M0CC01X	A3AK04412	A3AK04412	A54R0E03101
R108	1/2W 470	1/2W 470	1/2W 470	DELETE	Y999A	B12-262BASE	HF 22 5A	B12-262BASE	HF 20 1A
D101	1M4003	1M4003	1M4003	DELETE	R304	1/2W 680	1/2W 680	1/2W 680	1/2W 330
C106	18Y 47uF	18Y 47uF	18Y 47uF	DELETE	CR01	50Y CH 121	50Y CH 121	50Y CH 121	50Y CH 151
TC102	LA7910	LA7910	LA7910	DELETE	CR02	50Y CH 121	50Y CH 121	50Y CH 121	50Y CH 101
C121	50Y 10uF	50Y 10uF	50Y 10uF	DELETE	C412	DELETE	DELETE	20Y 331	
C123	50Y 10uF	50Y 10uF	50Y 10uF	DELETE	R306	1/2T 1 5	1/2T 1 5	1/2T 1 5	1/2T 1 5
L104	5 6uH	5 6uH	5.6uH	DELETE	WR304	2K-B		5K-B	
L105	5 6uH	5 6uH	5.6uH	DELETE	C309	472 J	272 J	472-J	472-J
OSC#1:R001	TECC2005V148	TECC2005V148	TECC2005V148	TECC2005V148					
BAND	R002	DELETE	DELETE	DELETE					
R003	DELETE	DELETE	DELETE	DELETE					
HYPER:R001	TECC2005V148	TECC2005V148	TECC2005V148	TECC2005V148					
R002	1M4148	1M4148	1M4148	1M4148					
R003	1M4148	1M4148	1M4148	1M4148					
R004	1M4148	1M4148	1M4148	1M4148					



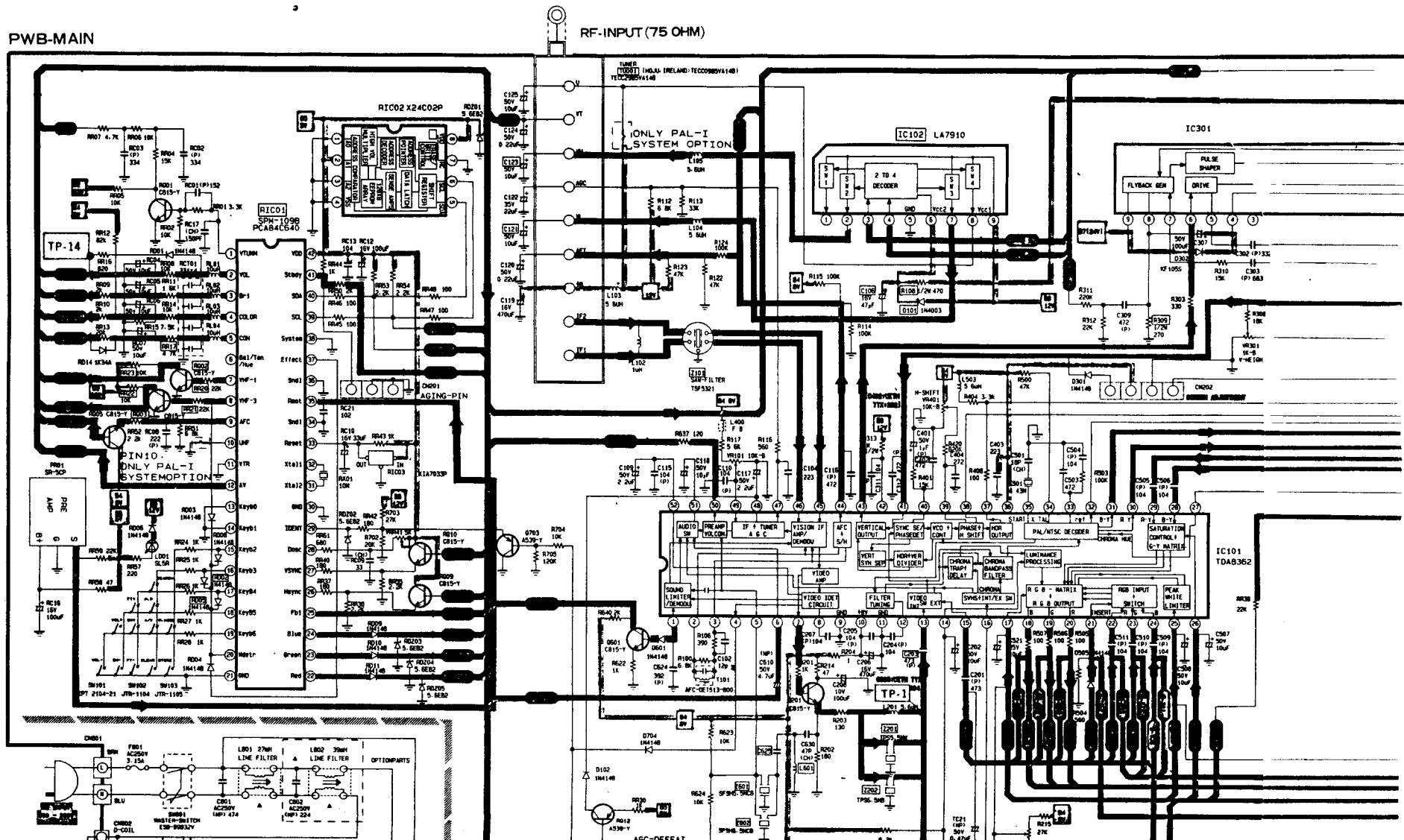
# SCHEMATIC DIAGRAM

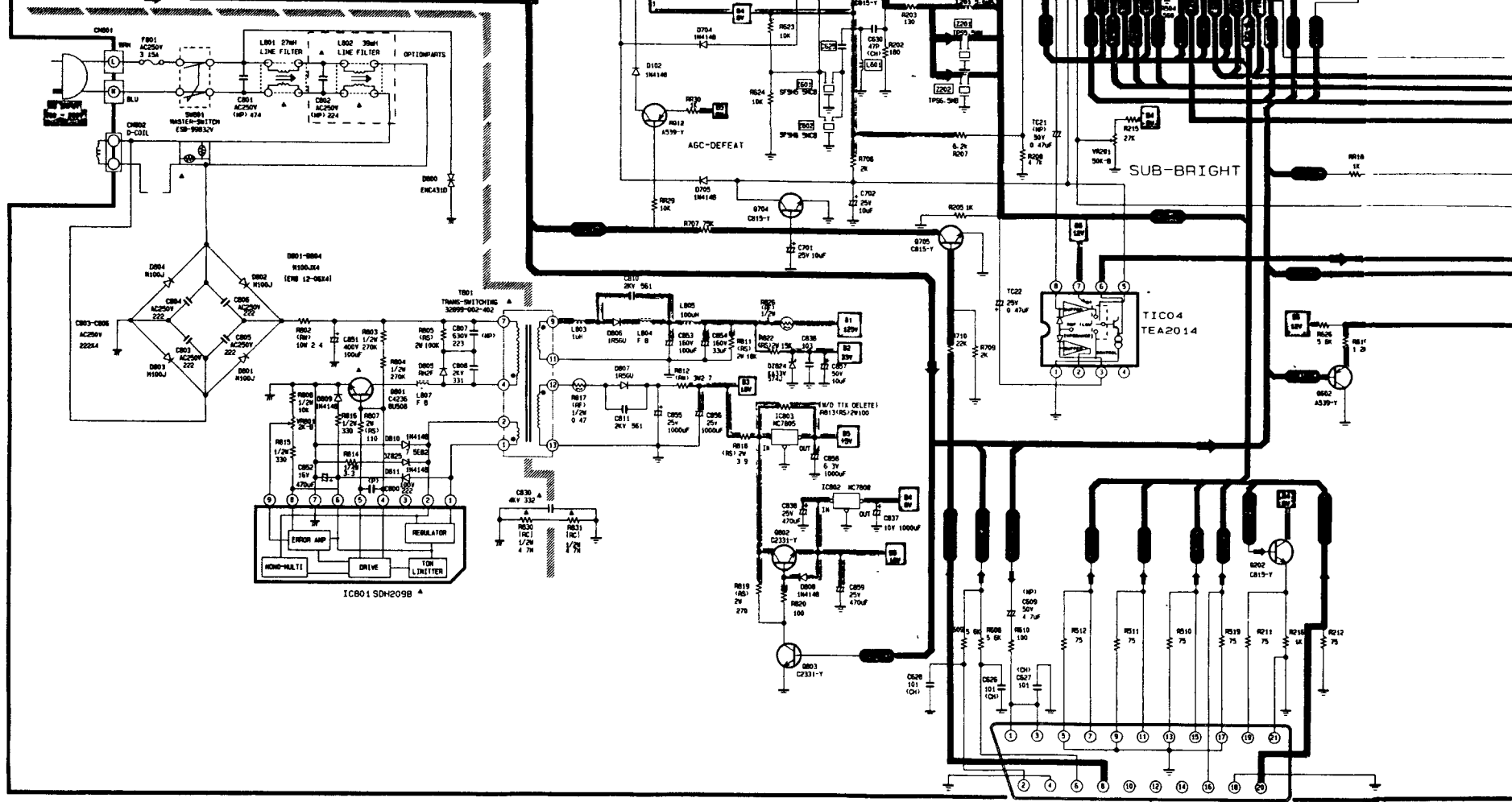
CHASSIS: P68SC (N), (M), (H)

MODEL: CK (B. X. I) 505 I X (T)

BOARD NAME: MAIN

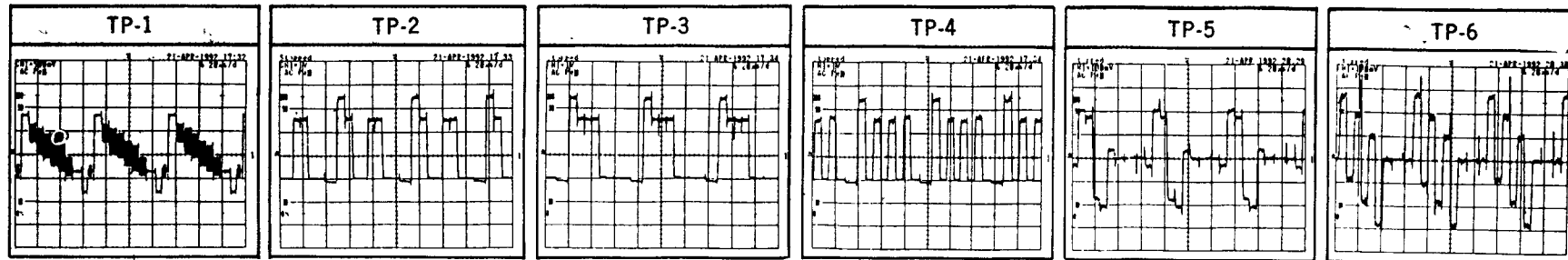
SYSTEM: PAL/SECAM-B. G & D. K (PAL-I)



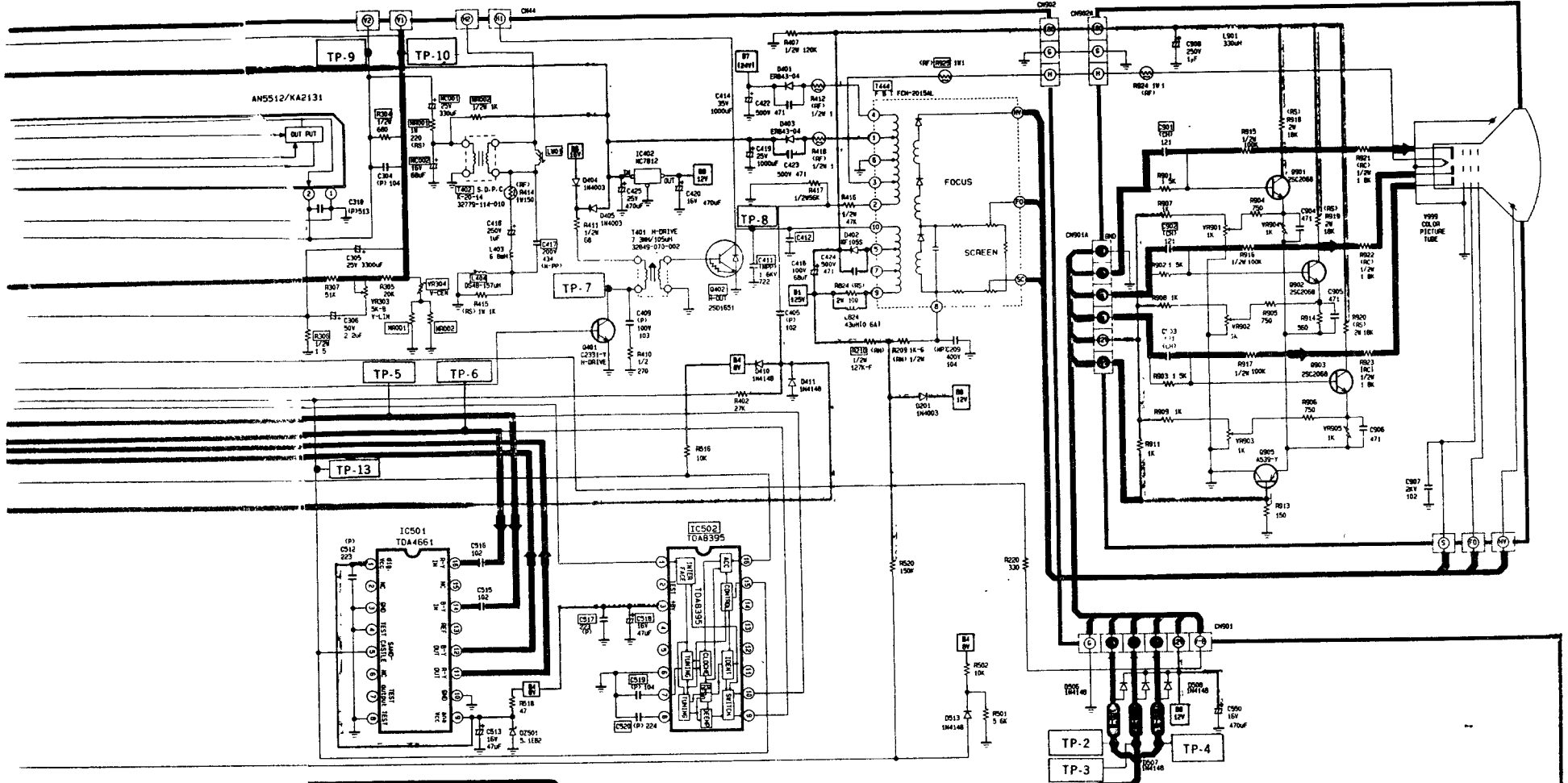


SC-01  
MC-1510-01-300A

TESTPOINT WAVEFORM



PWB-CRT



TTX OPTION-PARTS

