

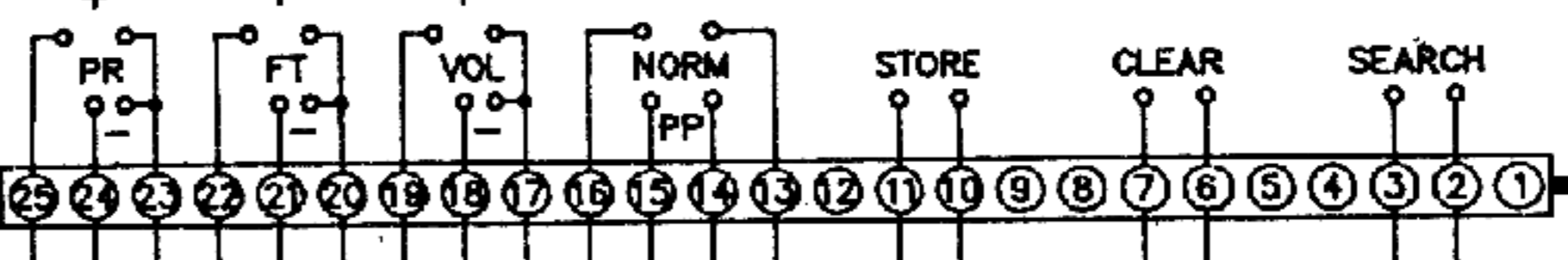
IC602
TDA2006
(SOUT)

SOUND CONVERTER

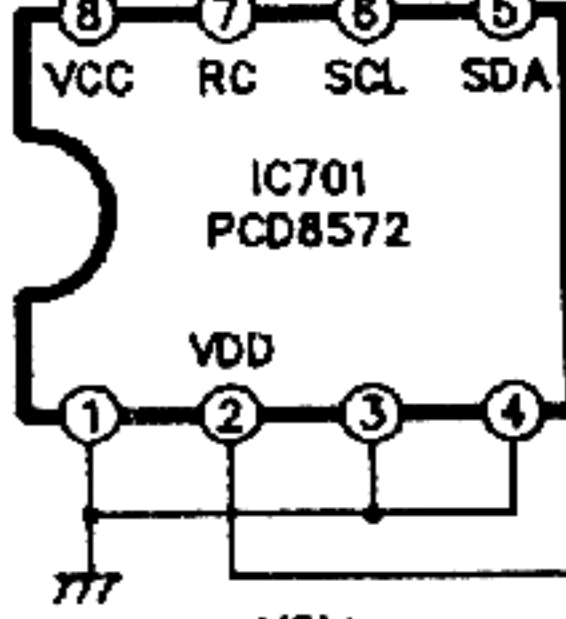
IC701 (u-COM)
PCA84C640P/030

IC601(SIF)
TBA-120T

IC701
PCD8572



SPEAKER



P601

P701(SWITCH BLOCK)

C601 47P

C607 470/16V

C603 0.01

C213 4.7u

C616 470u/16V

C630 0.01

R623 1.5K 1/BW

R608 1K

R615 100

R613 88K

L602 8.2uH

Z604 SFE6.5MB

R601 10

C608 0.01 (M)

Z601 CDA6.0MB

C606 0.01

C605 0.033(M)

R603 680

C604 0.022

D604 IN4148

C617 1000u/25V

R612 10/1W(FR)

R623 1.5K 1/BW

D602 IN4148

R615 100

R613 88K

L602 8.2uH

Z604 SFE6.5MB

R601 10

C608 0.01 (M)

Z601 CDA6.0MB

C606 0.01

C605 0.033(M)

R603 680

C604 0.022

D604 IN4148

C617 1000u/25V

R612 10/1W(FR)

R623 1.5K 1/BW

D602 IN4148

R615 100

R613 88K

L602 8.2uH

Z604 SFE6.5MB

R601 10

C608 0.01 (M)

Z601 CDA6.0MB

C606 0.01

C605 0.033(M)

R603 680

C604 0.022

D604 IN4148

C617 1000u/25V

R612 10/1W(FR)

R623 1.5K 1/BW

D602 IN4148

R615 100

R613 88K

L602 8.2uH

Z604 SFE6.5MB

R601 10

C608 0.01 (M)

Z601 CDA6.0MB

C606 0.01

C605 0.033(M)

R603 680

C604 0.022

D604 IN4148

C617 1000u/25V

R612 10/1W(FR)

R623 1.5K 1/BW

D602 IN4148

R615 100

R613 88K

L602 8.2uH

Z604 SFE6.5MB

R601 10

C608 0.01 (M)

Z601 CDA6.0MB

C606 0.01

C605 0.033(M)

R603 680

C604 0.022

D604 IN4148

C617 1000u/25V

R612 10/1W(FR)

R623 1.5K 1/BW

D602 IN4148

R615 100

R613 88K

L602 8.2uH

Z604 SFE6.5MB

R601 10

C608 0.01 (M)

Z601 CDA6.0MB

C606 0.01

C605 0.033(M)

R603 680

C604 0.022

D604 IN4148

C617 1000u/25V

R612 10/1W(FR)

R623 1.5K 1/BW

D602 IN4148

R615 100

R613 88K

L602 8.2uH

Z604 SFE6.5MB

R601 10

C608 0.01 (M)

Z601 CDA6.0MB

C606 0.01

C605 0.033(M)

R603 680

C604 0.022

D604 IN4148

C617 1000u/25V

R612 10/1W(FR)

R623 1.5K 1/BW

D602 IN4148

R615 100

R613 88K

L602 8.2uH

Z604 SFE6.5MB

R601 10

C608 0.01 (M)

Z601 CDA6.0MB

C606 0.01

C605 0.033(M)

R603 680

C604 0.022

D604 IN4148

C617 1000u/25V

R612 10/1W(FR)

R623 1.5K 1/BW

D602 IN4148

R615 100

R613 88K

L602 8.2uH

Z604 SFE6.5MB

R601 10

C608 0.01 (M)

Z601 CDA6.0MB

C606 0.01

C605 0.033(M)

R603 680

C604 0.022

D604 IN4148

C617 1000u/25V

R612 10/1W(FR)

R623 1.5K 1/BW

D602 IN4148

R615 100

R613 88K

L602 8.2uH

Z604 SFE6.5MB

R601 10

C608 0.01 (M)

Z601 CDA6.0MB

C606 0.01

C605 0.033(M)

R603 680

C604 0.022

D604 IN4148

C617 1000u/25V

R612 10/1W(FR)

R623 1.5K 1/BW

D602 IN4148

R615 100

R613 88K

L602 8.2uH

Z604 SFE6.5MB

R601 10

C608 0.01 (M)

Z601 CDA6.0MB

C606 0.01

C605 0.033(M)

R603 680

C604 0.022

D604 IN4148

C617 1000u/25V

R612 10/1W(FR)

R623 1.5K 1/BW

D602 IN4148

R615 100

R613 88K

L602 8.2uH

Z604 SFE6.5MB

R601 10

C608 0.01 (M)

Z601 CDA6.0MB

C606 0.01

C605 0.033(M)

R603 680

C604 0.022

D604 IN4148

C617 1000u/25V

R612 10/1W(FR)

R623 1.5K 1/BW

D602 IN4148

R615 100

R613 88K

L602 8.2uH

Z604 SFE6.5MB

R601 10

C608 0.01 (M)

Z601 CDA6.0MB

C606 0.01

C605 0.033(M)

R603 680

C604 0.022

D604 IN4148

C617 1000u/25V

R612 10/1W(FR)

R623 1.5K 1/BW

D602 IN4148

R615 100

R613 88K

L602 8.2uH

Z604 SFE6.5MB

R601 10

C608 0.01 (M)

Z601 CDA6.0MB

C606 0.01

C605 0.033(M)

R603 680

C604 0.022

D604 IN4148

C617 1000u/25V

R612 10/1W(FR)

R623 1.5K 1/BW

D602 IN4148

R615 100

R613 88K

L602 8.2uH

Z604 SFE6.5MB

R601 10

C608 0.01 (M)

Z601 CDA6.0MB

C606 0.01

C605 0.033(M)

R603 680

C604 0.022

D604 IN4148

C617 1000u/25V

R612 10/1W(FR)

R623 1.5K 1/BW

D602 IN4148

R615 100

R613 88K</

