

General Information

1994

Covers Models:
CRV 37, CRV 37T

CRT's:

- A34EAC01X06 - 14"
- A34EAC01X06 - 14"
- A34KPU02XX46 - 14"
- A36JSW90X01 - 15"

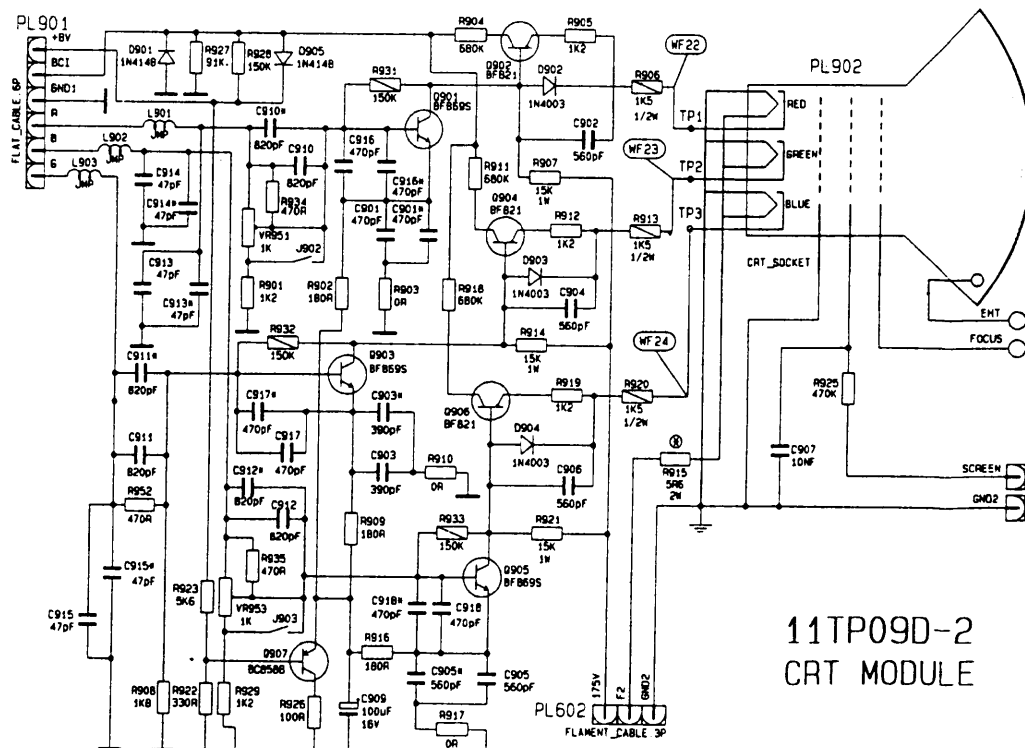
Matrix

Item	See Model
Safety Notes	Crown 11AK12 Chassis
Service Adjustments	Crown 11AK12 Chassis
Fault Guide	Crown 11AK12 Chassis

Specifications

- Power Supply Nominal: 220-240V AC 50Hz
The chassis is fully mains isolated and is stabilized across mains voltage range from 175V to 265V for less than 0.75% change in picture size. No mains input adjustment is required.
- Power Consumption 50W max.
70W for 14" and 15"
- Frequency Coverage Hyperband
(VHF Ch2 to Ch69 inc. CATV) - 47.862 MHz
UHF (Ch21 - 69) - 471.862 MHz
- Sensitivity 34 dBmV or less for any channel with locked colour picture
- Signal Input 95 dBmV or more for any channel
- IF Frequencies:
B/G (Europe) 38.9 MHz - vision
33.4 MHz - sound
I (UK) 39.5 MHz - vision
33.5 MHz - sound
- Audio Output 1.5W RMS max for 14" and 15" models
(At less than 10% THD for 1 KHz, 30% modulation factor)
- Beam Current Limiting 1200uA for 14" and 15" models
- EHT 26KV max

CRT Diagram "B"



11TP09D-2
CRT MODULE

(*) Component Differences Depending On System

PAL B/G	PAL I	PAL SECAM B/G	SECAM D/K	PAL-SECAM B/G D.K.	PAL-SECAM B/G LL	SECAM LL-K1
Z201	OFW 1964	OFW J 1953	OFW K 1964	OFW K 2954	OFW J 1963	OFW J 2950
Z401	SFE 5.5	SFE 6.0	SFE 5.5	SFE 6.5	SFE 5.5	SFE 6.5
Z404	N.C.	N.C.	N.C.	N.C.	N.C.	N.C.
LT403	N.C.	N.C.	N.C.	N.C.	SFE 6.5 T6.5	N.C.
LT402	T5.5	T6.0	T5.5	T6.5	T5.5	T6.5
L405	JUMPER	JUMPER	JUMPER	JUMPER	JUMPER	JUMPER
S401	CON	CON	CON	CON	CON	CON
Q102	N.C.	N.C.	N.C.	N.C.	CON	CON
Q103	N.C.	N.C.	N.C.	N.C.	CON	CON
Q104	N.C.	N.C.	N.C.	N.C.	CON	CON
R104	N.C.	N.C.	N.C.	N.C.	CON	CON
R105	N.C.	N.C.	N.C.	N.C.	CON	CON
R106	N.C.	N.C.	N.C.	N.C.	CON	CON
R107	N.C.	N.C.	N.C.	N.C.	CON	CON
R108	N.C.	N.C.	N.C.	N.C.	CON	CON
R112	N.C.	N.C.	N.C.	N.C.	CON	CON
R128	N.C.	N.C.	N.C.	N.C.	CON	CON
R129	N.C.	N.C.	N.C.	N.C.	CON	CON
S109	CON	CON	N.C.	N.C.	N.C.	N.C.
S402	CON	CON	N.C.	N.C.	N.C.	N.C.
S403	CON	CON	N.C.	N.C.	N.C.	N.C.
S404	CON	CON	N.C.	N.C.	N.C.	N.C.
S405	CON	CON	N.C.	N.C.	N.C.	N.C.
S406	CON	CON	N.C.	N.C.	N.C.	N.C.
S407	CON	CON	N.C.	N.C.	N.C.	N.C.

(*) For FTZ models OFW G 1963 will be used.
(*) For models with SECAM L A 1uF 16V capacitor will be connected in parallel with R1044

TEXT

	With Text	Without Text
J412	Connected	Not Connected
J418	Connected	Not Connected
J433	Connected	Not Connected
J436	Connected	Not Connected
J493	Connected	Not Connected
J549	Connected	Not Connected
J551	Connected	Not Connected

Others

Not Connected	Jumper
C426	R811
C452	L802
C815	R525
D105	R526
D805	R527
PL502	R528
R206	R529
R207	R530
R208	

SVHS

	With SVHS	Without SVHS
D104	Connected	Not Connected
D401	Connected	Not Connected
Q407	Connected	Not Connected
R457	Connected	Not Connected
R458	Connected	Not Connected

(*) Component Differences Depending On CRT

CRT Type	Code	C603 MKP 1600V/nF	C606 MKP 250V J	R456 CF 1/4W J	R717 CF 1/4W J	C615 SER 50V J	S113 LINK	S114 LINK	L601 L COIL	LOSS COIL
Philips	A34EAC1x06	6.2 nF	250V J	1K6	1K	100 pF	LINK	LINK	224L/50uH	1150uH
Orion	A34JLL90x23	7.5 nF		1K2	1K	47 pF	LINK	LINK	224L/50uH	
Goldstar	A34KPU02x46	7.5 nF	430 nF	1K2	1K	100 pF	LINK	LINK	50uH	
Carhong	375X110Y22-DC05	8.2 nF	330 nF 400V	1K2	1K	47 pF		LINK	224L	
Orion	A51EBV13x01	6.2 nF	330 nF 400V	1K6	560A	100 pF	LINK		15' LIN	

11AK08

	TDA8362A N1	TDA8362A N2
R510	15K	12K
R511	120K	27K
R517	22K	18K
R513	270K	470K
R518	27K	47K
R436	47K	8K2

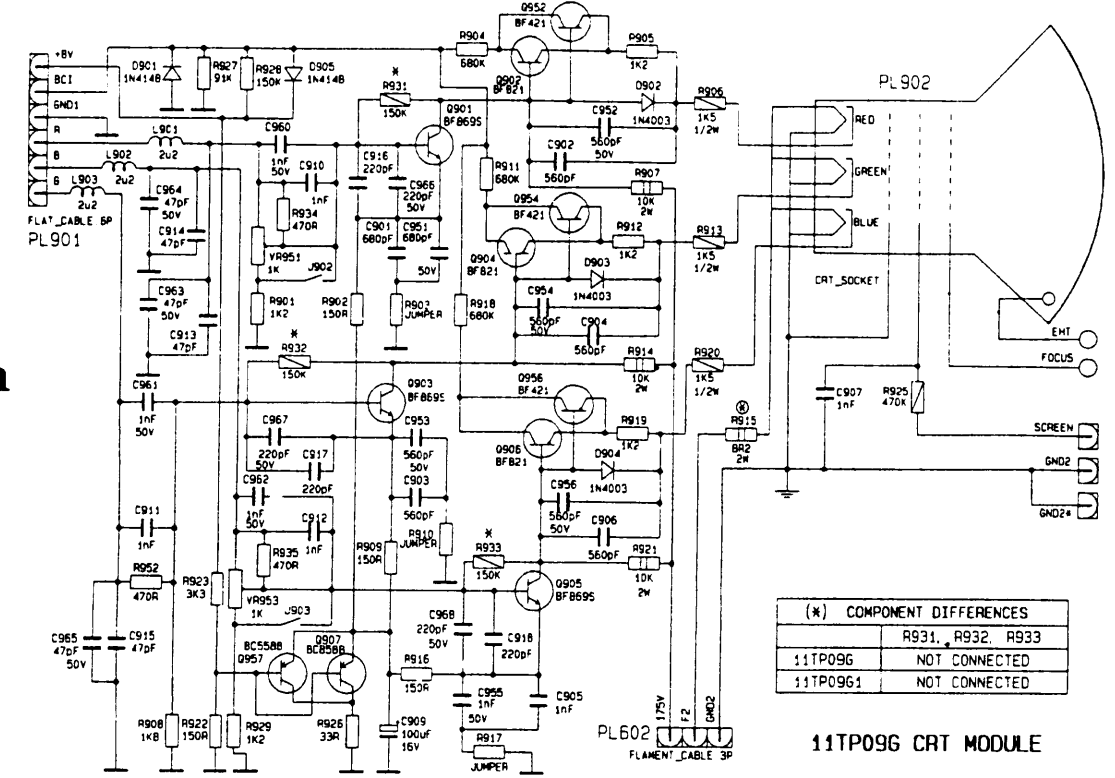
(*) Component Differences Depending On Features

Available Bands	TU201	S101 S107	D102 D103	IC503, C204, C205, C209, C510, R522, R523, R524, D503, D504
VHF I-III UHF	2000 KHC	N.C.	N.C.	Connected
Only UHF	TKF 3011	CON	N.C.	Not Connected
VHF I-III - Hyper/UHF	2000 KHC	N.C.	CON	Connected

(*) Component Differences Depending On FTZ

	With FTZ	Without FTZ
Z201	OFW G 1963	OFW G 1963
C309	SE560 pF L SL	Not Connected
C413	SE820 pF 50V KB	Not Connected
C432	SE 820 pF 50V KB	Not Connected
C439	SE 220 pF L SL	Not Connected
C449	SE 220 pF L SL	Not Connected
C451	EL 10 uF 16V M	Not Connected
C456	EL 10 uF 16V M	Not Connected
C457	SE 100 pF J SL	Not Connected
C458	SE 100 pF J SL	Not Connected
C459	SE 100 pF J SL	Not Connected
C490	SE 150 pF 50V L SL	Not Connected
C491	SE 100 nF Z F	Not Connected
C801	MKT 150 nF 250V AC	MKT 150 nF 250V AC
C802	MKT 150 nF 250V AC	MKT 150 nF 250V AC
J444	CF560R 1/4W J	Jumper
J445	CF 560R 1/4W J	Jumper
J446	CF 560R 1/4W J	Jumper
J533	Jumper	Not Connected
L201	Fixed Coil 1 uH	Not Connected
L401	Fixed Coil 10 uH	Jumper
L406	Fixed Coil 10 uH	Jumper
L403	Fixed Coil 2.2 uH	Jumper
L404	Fixed Coil 2.2 uH	Jumper
R433	CF 1K 1/4W J	Jumper
R434	CF 1K 1/4W J	Jumper
R490	CF 1K 1/4W J	Jumper

CRT Diagram "A"

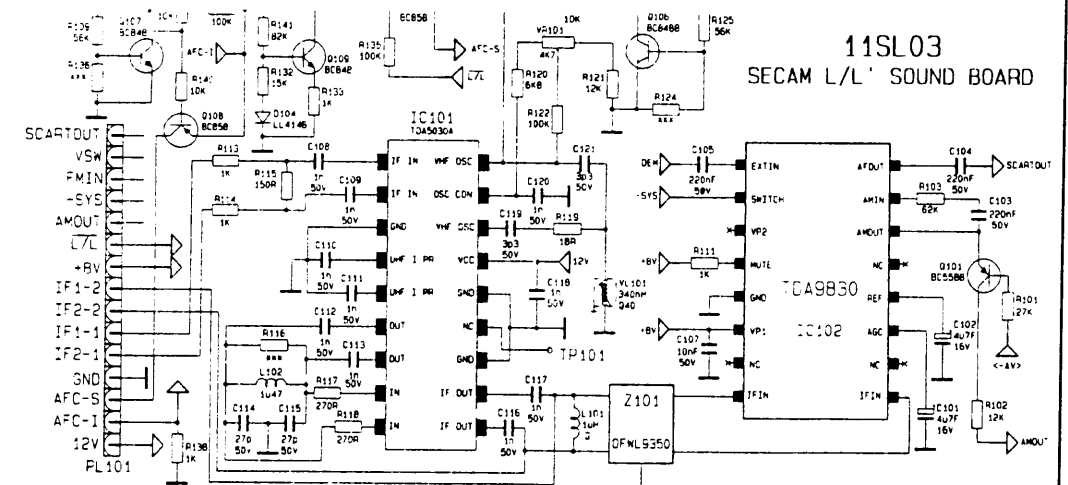


(*) COMPONENT DIFFERENCES

	R931, R932, R933
11TP09G	NOT CONNECTED
11TP09G1	NOT CONNECTED

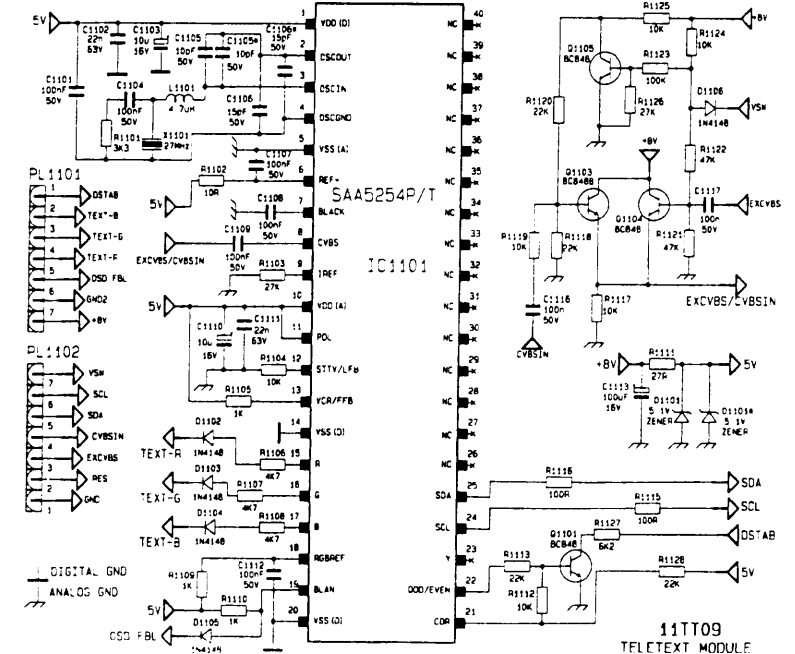
11TP09G CRT MODULE

Secam Sound Diagram



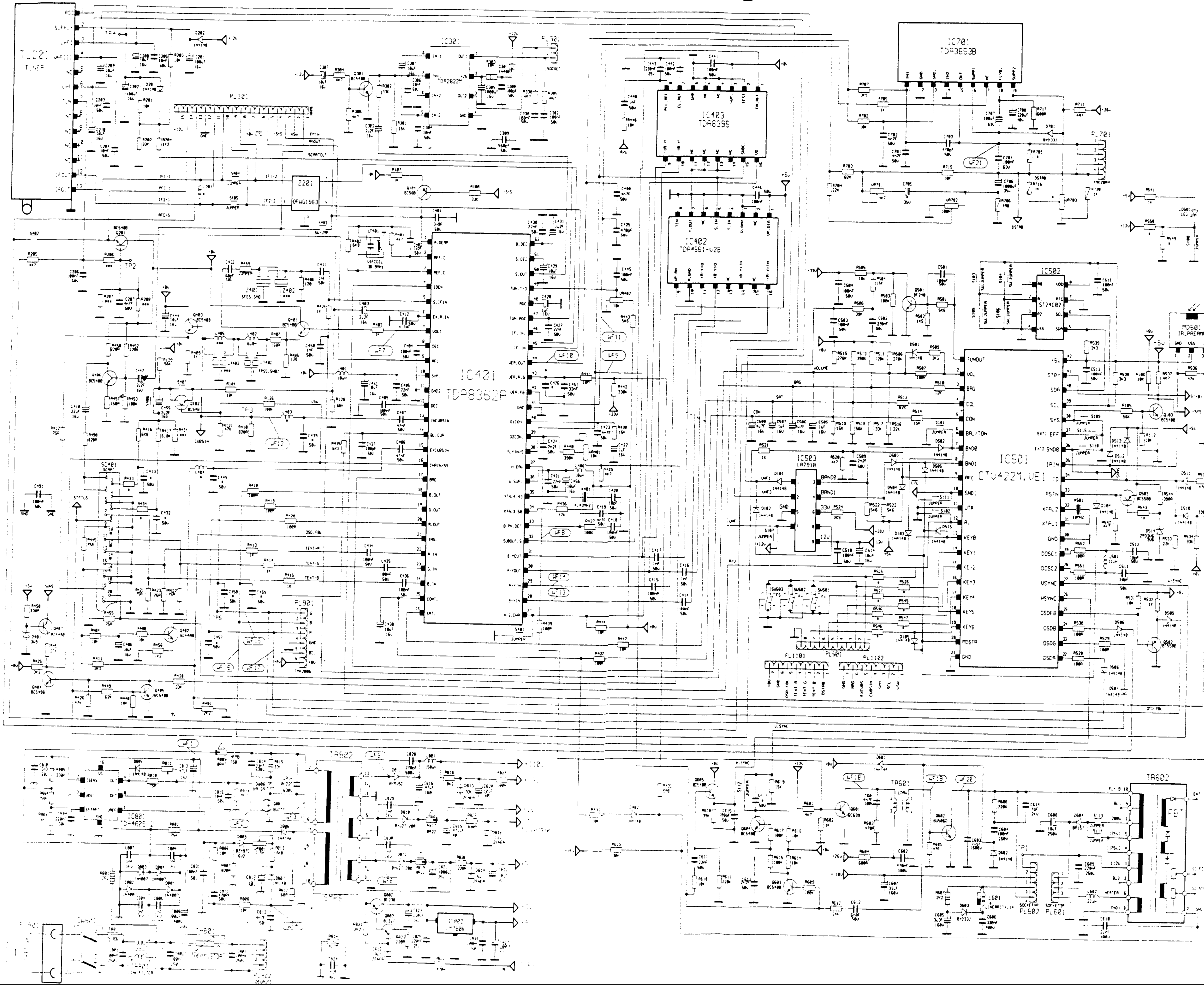
11SL03
SECAM L/L' SOUND BOARD

Teletext Module Diagram



11T09
TELETEXT MODULE

Main Diagram



Waveforms

